

Explosion proof type space heater

Model : H100 series

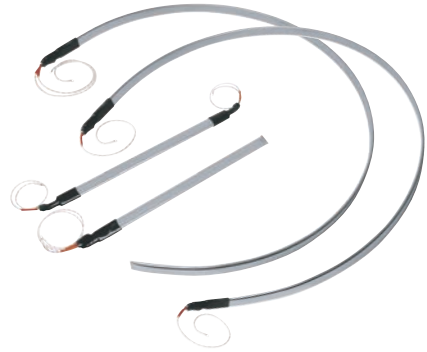
Spec. sheet no. HD01-01

Service intended

Space heater is filled and compressed with Ni/Cr heat element, ceramics, and Mgo element. This product has the fixed terminal pin at both sides, therefore, maximization on the heat conduction of insulation products and the heat conductivity are possible.

Basically, space heater uses tube, and it can be used in various type of conditions. Furthermore, heat element's outer frame is made of thin steel, so it can be easily modified to provide an easier installation, and its mechanical strength provides a strong performance against the temperature fluctuations.

This product is also designed to protect the heat element from oxidization by providing closed ends, and it can prolong its life-cycle.



Usage

Used to prevent freezing of electric motor and to maintain the temperature of specific space or area

Safety and environment

This product is not designed to use the controller to control temperature. Instead, the temperature can be controlled by changing voltage (V) and wattage (W) on the space heater. Therefore, it is critical to check the voltage and the wattage indicated on the product before installation. This product is made of environment-friendly and harmless materials to human body. Please dismantle the product before discarding.

Heating element

Ni-Cr (Standard)

Fe-Cr

Kantal

Tube material

304SS

Standard

Explosive atmospheres. Equipment. General requirements

■ EN 60079-0:2009

Electrical apparatus for explosive gas atmospheres. Increased safety "e"

■ EN 60079-7:2007

Ambient temperature

Tamb = -40 ~ 70 °C

Certificates

KCS Ex e II

ATEX II 2G Ex e II Gb

IECEX Ex e IIC Gb

Main order

Ordering information

1. Base model

H100 Explosion proof - Space heater

2. Explosion proof

- A** ATEX Ex e II Gb
- I** IECEx e IIC Gb
- K** KCS Ex e II
- N** Non-explosion

3. Tube material

- 4** 304SS
- 6** 316SS
- X** Other

4. Tube outer diameter (mm)

- RA** 6 (Round type)
- RB** 8 (Round type)
- RC** 10 (Round type)
- RD** 12 (Round type)
- RE** 16 (Round type)
- RF** 18 (Round type)
- RG** 20 (Round type)
- OA** 21 x 7 (Oval type)
- OB** Other (Oval type)

5. Tube length (mm)

- 1** Less than 600 (Minimum length is 200 mm)
- 2** Less than 601 ~ 800
- 3** Less than 801 ~ 1,000
- 4** Less than 1,001 ~ 1,200
- 5** Less than 1,201 ~ 1,600
- 6** Less than 1,601 ~ 2,200
- 7** Special length (mm) (Maximum length is up to 3,000 mm)

6. Standard surface temperature (°C)

- T1** 450
- T2** 300
- T3** 200
- T4** 135
- T5** 100
- T6** 85

7. Ambient temperature (°C)

- 01** 0
- 02** 10
- 03** 20
- 04** 30
- 05** 40
- 06** 50
- 07** 60
- 08** 70
- 09** -10
- 10** -20
- 11** -30
- 12** -40

8. Heating element

- 1** Ni-Cr
- 2** F-Cr
- 3** Kanthal

9. Installation design (Refer to standard product drawing)

- A** Straight (Type A)
- B** Straight (Type B)
- C** Oval type (Type C)
- D** Oval type (Type D)

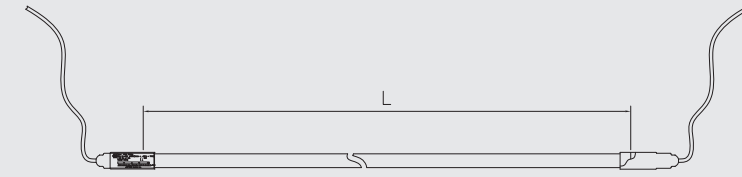
1	2	3	4	5	6	7	8	9
H100	A	4	OA	1	T4	04	1	A

Sample
ordering code

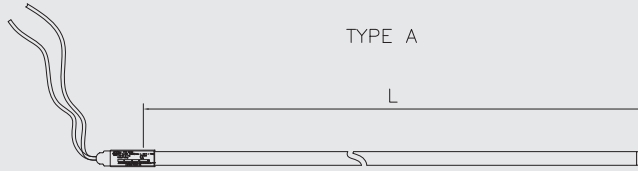


© WISE Control Inc. All rights reserved. ALL PRODUCT, PRODUCT SPECIFICATIONS AND DATA ARE SUBJECT TO CHANGE WITHOUT NOTICE TO IMPROVE RELIABILITY, FUNCTION OR DESIGN OR OTHERWISE.

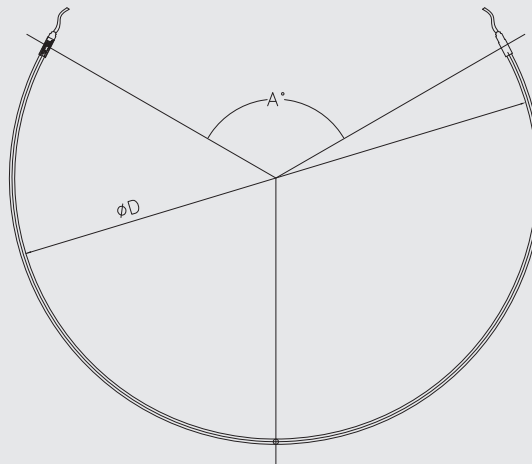
H100 : Standard product drawing



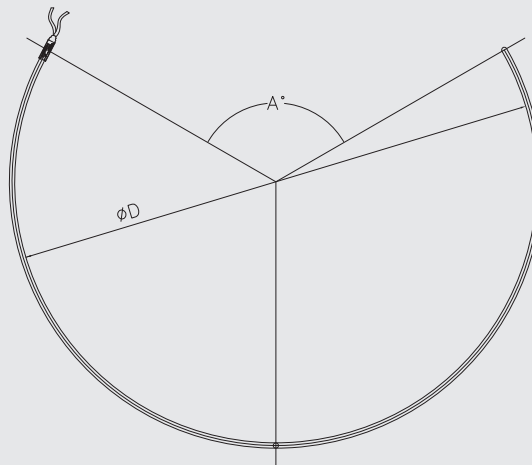
TYPE A



TYPE B



TYPE C



TYPE D

A large empty rectangular box with a thin black border, intended for writing a memo.